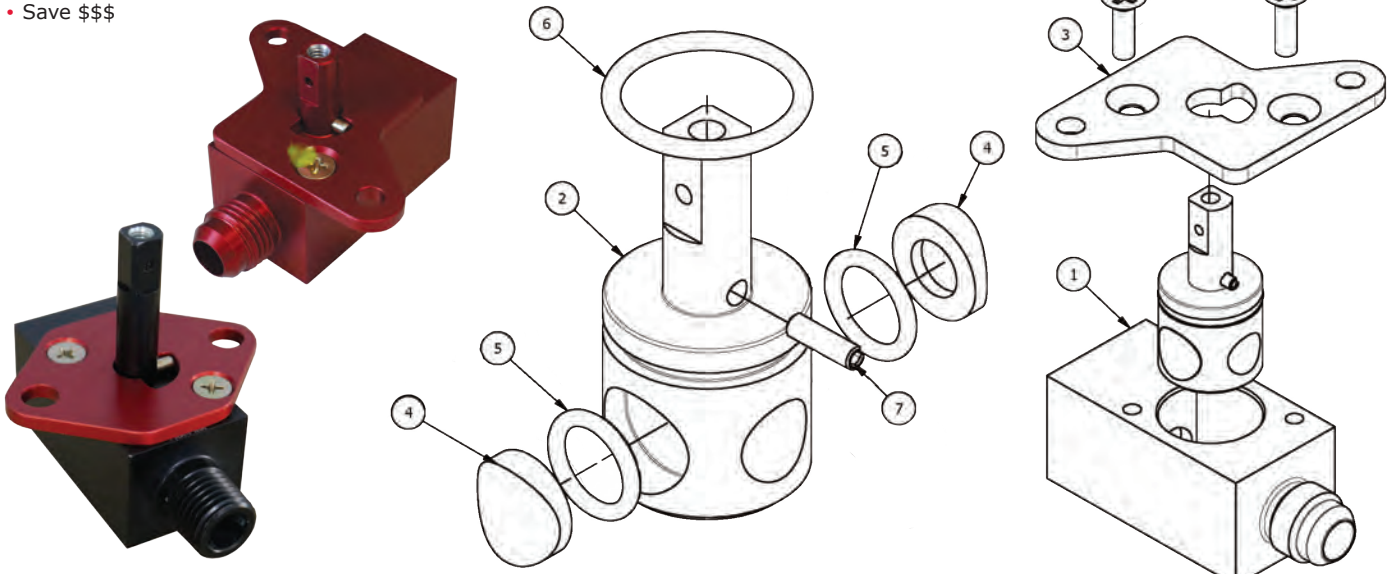


NEW! Replacement Parts for 150-152 Fuel Selector Valves and 185 Shut-Off Valves

Replacement Parts for McFarlane and Cessna 150, 152 and 185 Valves

- Cover, rotors, bodies, o-rings, roll pins, and seals in-stock!
- Unique and common components for p/n MC9851078-4 and MC9851070-2 below
- Save \$\$\$

NEW



Fuel System Parts

Model	Serial Number	Highest Assembly Fuel Selector Valve	Unique Components			Common Components			
			Cover	Rotor	Body	O-ring 3	Roll Pin	Seal 3	O-Ring
			#3	#2	#1	#5	#7	#4	#6
150 [1], 150A,B,C,D,E,F,G,J,K,L,M [1]	17770 thru 15078505	MC9851078-4	MC9851092-2	MC9851072-3	MC9851077-1	MCM83248/1-011	MS06562-22	MC9851073-2	MCM83248/1-016
150M [1]	15078506 thru 15079405	MC9851070-2	MC9851074-1	MC9851072-2	MC9851071-2	MCM83248/1-011	MS06562-22	MC9851073-2	MCM83248/1-016
A150K,L,M [1]	A1500001 thru A1500684	MC9851078-4	MC9851092-2	MC9851072-3	MC9851077-1	MCM83248/1-011	MS06562-22	MC9851073-2	MCM83248/1-016
A150M [1]	A1500685 thru A1500734	MC9851070-2	MC9851074-1	MC9851072-2	MC9851071-2	MCM83248/1-011	MS06562-22	MC9851073-2	MCM83248/1-016
F150F,G,H,J,K,L,M [1]	F150-0001 thru F15001338	MC9851078-4	MC9851092-2	MC9851072-3	MC9851077-1	MCM83248/1-011	MS06562-22	MC9851073-2	MCM83248/1-016
F150M [1]	F15001339 thru F15001428	MC9851070-2	MC9851074-1	MC9851072-2	MC9851071-2	MCM83248/1-011	MS06562-22	MC9851073-2	MCM83248/1-016
FA150K,L [2], M [1,2]	FA1500001 thru FA1500311	MC9851078-4	MC9851092-2	MC9851072-3	MC9851077-1	MCM83248/1-011	MS06562-22	MC9851073-2	MCM83248/1-016
FA150M [1,2]	FA1500312 thru FA1500336	MC9851070-2	MC9851074-1	MC9851072-2	MC9851071-2	MCM83248/1-011	MS06562-22	MC9851073-2	MCM83248/1-016
152/A152/F152/FA152	All	MC9851070-2	MC9851074-1	MC9851072-2	MC9851071-2	MCM83248/1-011	MS06562-22	MC9851073-2	MCM83248/1-016
A185F	18403154 thru 18504448	MC9851070-2	MC9851074-1	MC9851072-2	MC9851071-2	MCM83248/1-011	MS06562-22	MC9851073-2	MCM83248/1-016

Notes:
 [1] Partial model eligibility
 [2] Includes aircraft equipped w/FKA150-2311 & FKA150-2316
 [3] Indicates quantity of two per higher assembly

NEW! FAA-PMA Approved Cessna 150 and 152 Fuel Indicator Plates

Replace your old plastic placard with our new metal indicator plates!

- Powder coated for fade resistance
- Reference your current tank capacity with your model when ordering
- Eligible Series: 150J-M, A150K-M, F150J-L, FA150K-M, 152, A152, F152, FA152

NEW



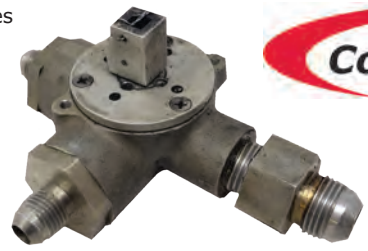
Part Number	Tank Capacity
MC0410218-10	22.5 gallons
MC0410218-11	21.5 gallons
MC0405050-1	24.5 gallons
MC0405050-2	27.5 gallons
MC0410218-12-279	35.0 gallons
MC0410218-13-279	37.5 gallons

Coming Soon! FAA-PMA Cessna 180, Early 182, 190 and 195 Series Fuel Selector Valves

Sign up for our Email Newsletter to be notified when available!

- To expand our eligibility to cover Cessna 180, early 182, 190 and 195 series
- We will also have PMA replacement parts for the Cessna Valves
- Save \$\$\$

Coming Soon



FAA-PMA Approved

NEW! Replacement Parts for McFarlane FAA-PMA Approved Fuel Selector For Cessna Aircraft

Replacement Parts for McFarlane 170, 172, 175 and 177 Series Fuel Valves

- Rotors, valves, springs, roll pins, screws, washers and more, *all available today!*
- Unique and common components for McFarlane MC0513120-5, MC0513120-6, MC0513120-8, MC0513120-9, and MC0513120-200 valves

NEW

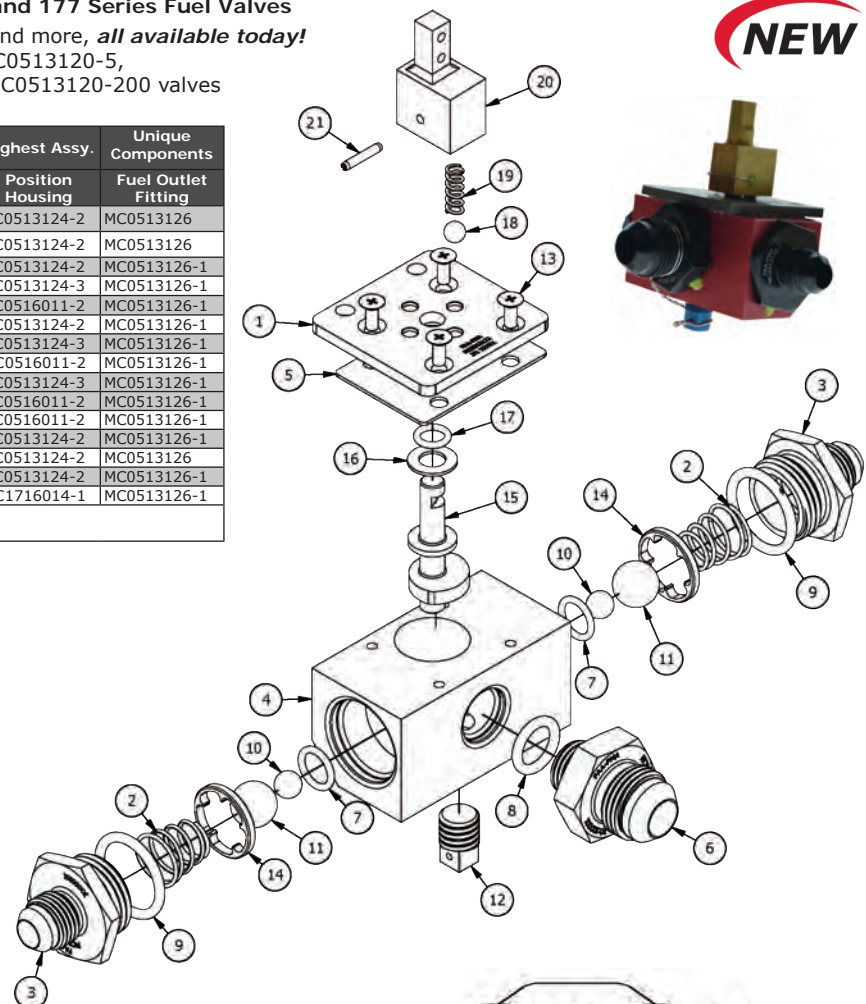
Fuel System Parts

Model	Serial Number	Highest Assy.	Highest Assy.	Unique Components
		Fuel Selector Valve	Position Housing	Fuel Outlet Fitting
170B	20286 thru 27169	MC0513120-5	MC0513124-2	MC0513126
172, 172A,B,C	28000 thru 17249544	MC0513120-5	MC0513124-2	MC0513126
172D,E	17249545 thru 17251822	MC0513120-6	MC0513124-2	MC0513126-1
172F,G,H,I,K,L,M	17251823 thru 17263458	MC0513120-8	MC0513124-3	MC0513126-1
172M	17263459 thru 17267584	MC0513120-200	MC0516011-2	MC0513126-1
F172D,E	F172-0001 thru F172-0085	MC0513120-6	MC0513124-2	MC0513126-1
F172F,G,H,K,L,M	F172-0086 thru F17201234	MC0513120-8	MC0513124-3	MC0513126-1
F172M	F17201235 thru F17201514	MC0513120-200	MC0516011-2	MC0513126-1
FR172E,F,G,H,J	FR17200001 thru FR17200530	MC0513120-8	MC0513124-3	MC0513126-1
FR17200531 thru FR17200590		MC0513120-200	MC0516011-2	MC0513126-1
R172K, FR172K	All	MC0513120-200	MC0516011-2	MC0513126-1
P172, FP172	All	MC0513120-6	MC0513124-2	MC0513126-1
175, 175A,B	All	MC0513120-5	MC0513124-2	MC0513126
175C	All	MC0513120-6	MC0513124-2	MC0513126-1
177,177A,B	All	MC0513120-9	MC1716014-1	MC0513126-1

Notes:
 Partial model eligibility

IPC Graphic	Common Components and Quantities used on all models:	
1	1	Cover Plate MC0513122
2	2	Valve Spring MC0513120-2
3	2	Fuel Inlet Fitting MC0513120-3
4	1	Valve Body MC0513121
5	1	Cover Gasket MC0513125
7	2	Valve O-ring MCM83248/1-012
8	1	Outlet O-Ring MCM83248/1-111
9	2	Inlet O-ring MCM83248/1-116
10	2	Lifter Ball MCS272-209
11	2	Valve Ball MCS272-215
12	1	Drain Plug MS20913-1D
13	4	Cover Screw MS24693S25
14	2	Guide Insert 7715
15	1	Fuel Selector Cam MC0513123
16	1	Thrust Washer NAS1149C0432R
17	1	Cam O-ring MCM83248/1-010
18	1	Positioning Ball MCS272-207
19	1	Positioning Spring MC0513120-1
21	1	Roll Pin MS16562-213

Notes:
 Applicable only for McFarlane fuel selector valves



Replacement Parts for McFarlane 177, 182 and 185 Series Fuel Valves

- Unique and common components for McFarlane MC0716613-1, MC0716613-3, MC0716613-4, and MC0716613-5 available below
- In stock and affordable!

NEW

Model	Serial Number	Highest Assembly	Unique Component
		Fuel Selector Valve	Rotor
177RG	177RG0283 thru 177RG0314	MC0716613-4	MC0716143-4
	177RG0315 thru 177RG1051	MC0716613-5	MC0716143-9
F177RG	F177RG0063 thru F177RG0077	MC0716613-4	MC0716143-4
	F177RG0078 thru F177RG0160	MC0716613-5	MC0716143-9
182E,F,G,H,J,K,L,M,N,P, F182P	All	MC0716613-1	MC0716143-2
185B,C,D,E, A185E	185-0513 thru 185-1300	MC0716613-3	MC0716143-3
A185E	185-1301 thru 18502310	MC0716613-4	MC0716143-4

Notes:
 Partial model eligibility

IPC Graphic	Common components and quantities used on all models:	
2	1	Valve Body MC0716144-1
3	1	Valve Sump MC0716145-1
4	1	Valve Bushing MC0716146-1
5	2	Rotor Seal MC1216107-4
6	1	Thrust Washer MCS1438-14
7	2	Valve Spring MC1216110-4
8	1	Positioning Spring MC1216110-5
9	1	Positioning Ball MCS272-5
10	2	Seal Washer MCS2385-4
11	1	Drain Plug MS20913-1D
12	1	Upper Rotor O-Ring MCM83248/1-012
13	2	Rotor Seal O-Ring MCM83248/1-013
14	1	Lower Rotor O-ring MCM83248/1-021
15	1	Roll Pin MS16562-65
16	2	Screw MS16562-63
17	2	Lock Washer MS35338-43

