

**Thrust Reverser Inspection Kits**

FAA-PMA approved and industry standard components for TPE 331 engines  
For specific eligibility, visit our website at [www.mcfarlaneaviation.com](http://www.mcfarlaneaviation.com)

Items contained in the HP201TR kits are standard parts used in a 1400HR TR inspection.

The HP200TR kit consists of two HP201TR kits to service both engines. In addition to the PMA'd parts all hardware required is included and there will normally be a few extra parts left over.

Most of these parts are also used on Dassault Falcon 20's that have the Aeronca STC installed and on all Sabreliner model 80 aircraft. The main difference in the 1400 HR kits for these aircraft (P/N HP100TR) is that the Falcons and Sabreliners use the 232-20260-1HP bearing instead of the 45-12216-1HP bearing.

In addition to the standard parts replaced during the 1400 HR inspection P/N 3233190-2HP Vespel bearing (eight per A/C) may or may not be needed.



P/N  
HP201TR  
HP100TR & HP200TR

P/N	Description	Qty
AN960C10L	Washer	12 24
AN960-416	Washer	2 4
D6-1	Washer	60 120
D6-4	Washer	4 8
MS21043-3	Nut	14 28
MS21043-4	Nut	4 8
MS24665-151	Cotter Pin	6 12
MS24665-153	Cotter Pin	5 10
MS24665-302	Cotter Pin	2 4
M9364-10	Nut	4 8
M9464-09	Pin	4 8
NAS1291C4M	Nut	10 20
NAS1351C3-8	Screw	10 20
NAS620C416L	Washer	4 8
NAS620-416L	Washer	16 32
232-20268-503HP	Shoulder Bolt	4 8
232-20426-1HP	Bushing	4 8
3515-28-04	Washer	4 8
45-12216-1HP	Bearing	4 8

1 Contains enough components for one engine  
2 Contains enough components for two engines

**Bushings, Bearings, and Components for TPE331 Engines**

FAA-PMA approved

Part Number	Description	Part Number	Description	Part Number	Description	Part Number	Description
3101373-1HP	Lock Plate	3101703-1HP	Bushing	3101703-5HP	Bushing	3101759-7HP	Bushing
3101703-10HP	Bushing	3101703-20HP	Bushing	3101703-6HP	Bushing	865057-7HP	Retainer
3101703-11HP	Bushing	3101703-24HP	Bushing	3101703-7HP	Bushing	865542-5HP	Bearing Sleeve
3101703-12HP	Bushing	3101703-25HP	Bushing	3101703-8HP	Bushing	867595-3HP	Gasket
3101703-13HP	Bushing	3101703-26HP	Bushing	3101703-9HP	Bushing	867681-5HP	Seal Disk
3101703-14HP	Bushing	3101703-27HP	Bushing	3101759-1HP	Bushing	867905-1HP	Valve Seat
3101703-15HP	Bushing	3101703-28HP	Bushing	3101759-2HP	Bushing	868746-6HP	Gasket
3101703-16HP	Bushing	3101703-29HP	Bushing	3101759-3HP	Bushing	869615-1HP	Bearing Sleeve
3101703-17HP	Bushing	3101703-2HP	Bushing	3101759-4HP	Bushing	869615-2HP	Bearing Sleeve
3101703-18HP	Bushing	3101703-3HP	Bushing	3101759-5HP	Bushing	869616-1HP	Bearing Sleeve
3101703-19HP	Bushing	3101703-4HP	Bushing	3101759-6HP	Bushing	869616-2HP	Bearing Sleeve
<i>Continued on next column</i>		<i>Continued on next column</i>		<i>Continued on next column</i>		893579-1HP	Bushing

**Cable Assemblies for Learjet**

FAA-PMA approved

Aircraft Model	Part Number
24, 24A,B,B-A,C,D,D-A,E,F,F-A,	HP2411660-13
25, 25A,B,C,D,F, 31, 31A, 35,	HP2411660-15
35A, 36, 36A	HP2411660-34
24, 24A,B,B-A,C,D,D-A,E,F,F-A,	HP2411660-18
25, 25A,B,C,D,F, 35, 35A, 36, 36	
55, 55B, 55C, 60	5415530-5HP
55	5415542-16HP
	5415542-23HP
55, 55B, 55C	5415542-26HP
	6015550-002HP
60	6015550-003HP

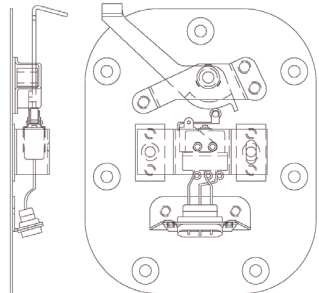


**Door Position Indicator (DPI) Switches and Kits for Learjet**

FAA-PMA approved and industry standard components

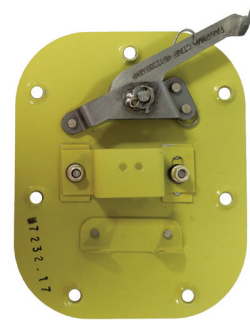
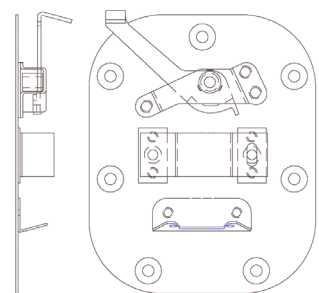
Each kit contains enough components for one engine

DPI Switch and Plate Kit Components		
P/N 45-12370-10TR		
Part Number	Description	Qty
45-0008-KIT	DPI Switch and Acuator Kit	1
45-12368-KIT	DPI Pivot Arm Kit	1
45-12370-1HP	Mounting Plate Assembly	1
MS24694-C3	Screw	2
MS35333-72	Washer	2
MS21043-08	Nut	2
Contains enough components for one engine		



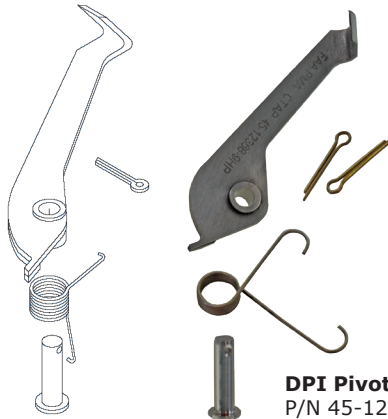
**DPI Switch and Plate Kit**  
P/N 45-12370-10TR

Switch Plate Kit Components		
P/N 45-12370-1HP		
Part Number	Description	Qty
45-12368-KIT	DPI Pivot Arm Kit	1
45-12370-1HP	Mounting Plate Assembly	1
MS24694-C3	Screw	2
MS35333-72	Washer	2
MS21043-08	Nut	2
Contains enough components for one engine		



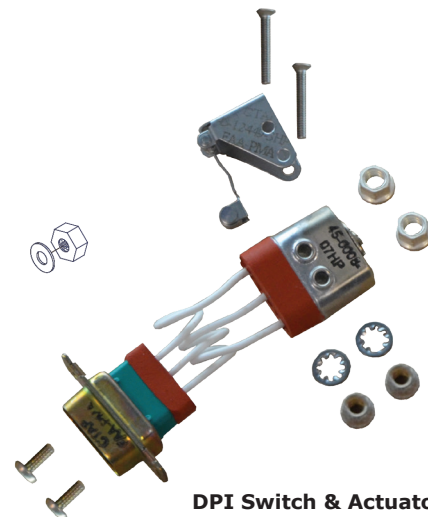
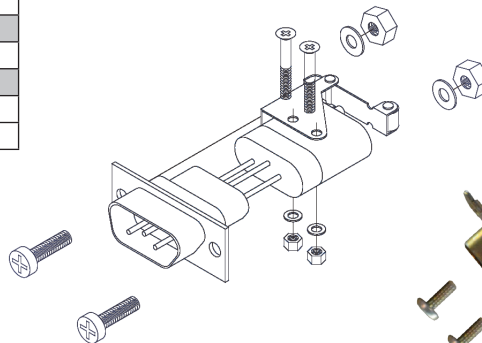
**Switch Plate Kit**  
P/N 45-12370-1HP

DPI Pivot Arm Kit Components		
P/N 45-12368-TR		
Part Number	Description	Qty
45-12356-1HP	Spring	1
45-12370-109	Pin	1
45-12368-9HP	Pivot Arm	1
MS24665-132	Cotter Pin	1
Contains enough components for one engine		



**DPI Pivot Arm Kit**  
P/N 45-12368-TR

DPI Switch and Actuator Kit Components		
P/N 45-0008-KIT		
Part Number	Description	Qty
MS21043-08	Nut	2
MS35333-72	Washer	2
MS35206-213	Screw	2
NAS662C2R9	Screw	2
MS21042-02-08	Nut	2
NAS620-4	Washer	2
45-12449-3HP	Actuator	1
45-0008-7HP	Plug/Switch Assembly	1
Contains enough components for one engine		



**DPI Switch & Actuator Kit**  
P/N 45-0008-KIT

DPI Switch Assembly (4) req. per A/C	
Part Number	Description
45-12368-9HP	Pivot Arm
45-12256-3HP	Bumper Plate
45-0008-07HP	Plug and Switch Assembly
45-12449-3HP	Actuator Assembly
45-12356-1HP	Spring
45-12370-1HP	Switch Plate Assembly