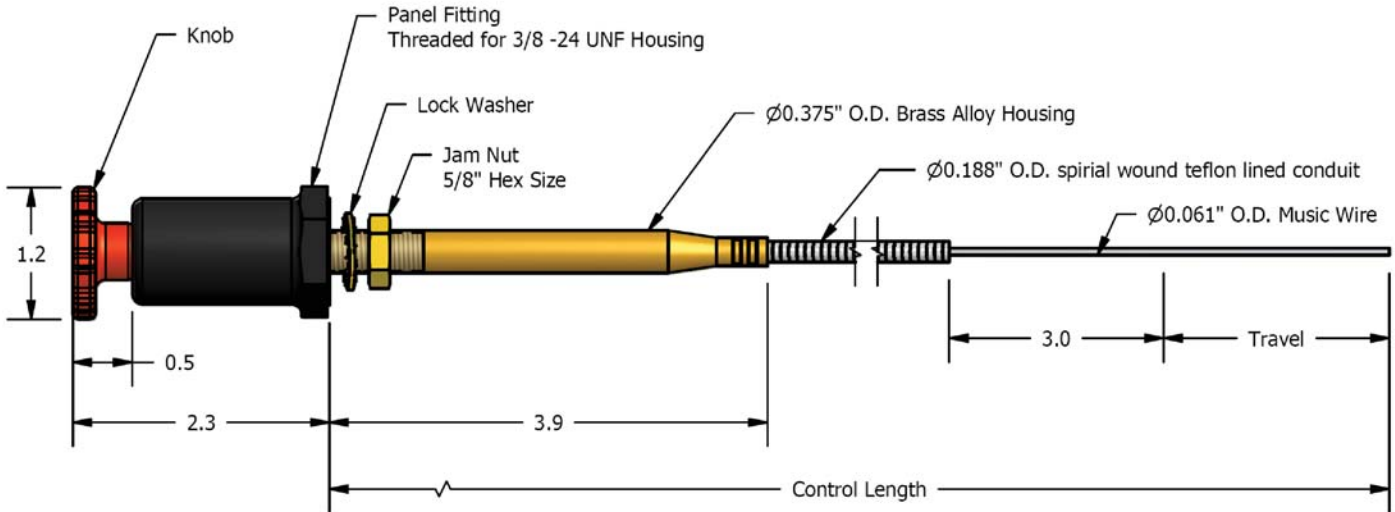


REVISION

DENOTES REVISION

6/28/2011 ORIGINAL

P/N: MCMV0241-LLL SERIES MIXTURE CONTROL



Specifications:

Part Numbers MCMV0241-LLL where:

LLL = Control length in inches

Travel (stroke): 3.0" Maximum

Maximum Design Resistance Loads: (With Tension Nut fully engaged)
Push/Pull: ~ 6 lbs

Maximum Vernier Adjustment Force: (With Tension Nut fully engaged)
Rotation: ~ 4.5 lbs (Rotation of knob produces ~4.5 lbs of thrust force)

Operation Temp: -65° to 450° F

Options: Cable stops, conduit terminals, and wire clamps are available for purchase with this control.

Project Engineer: <i>[Signature]</i> Date: 7/11/11	Engineering Manager: <i>[Signature]</i> Date: 7/11/11	Quality Manager: <i>[Signature]</i> Date: 7-21-11	Manufacturing Manager: <i>[Signature]</i> Date: 7-7-11
--	---	---	--



McFarlane Aviation, Inc.
696 East 1700 Road
Baldwin City, Kansas 66006

Title: McFarlane Vernier Assist Mixture Controls			
Size: A	Drawn: BWM	Sheet: 1 of 1	
Part Number: Various		Drawing Number: 6610	REVISION 2