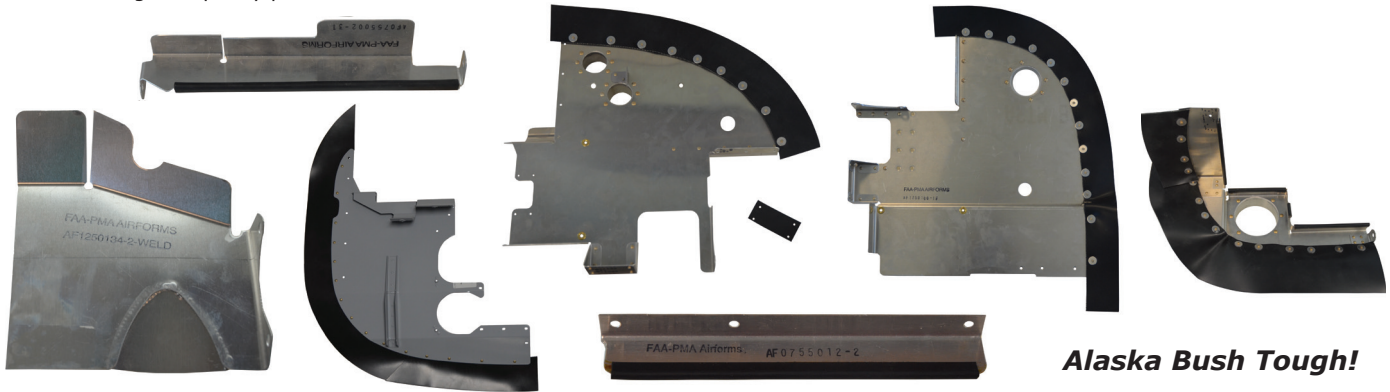


Airforms Complete FAA-PMA Product Line

Airforms is located in the heart of the Alaskan aviation scene. Their products are developed from real world needs of experienced Alaskan bush pilots and operators. All Airforms parts are manufactured using state-of-the-art CAD/CAM technology and CNC equipment combined with exemplary craftsmanship to provide the highest quality product.



Alaska Bush Tough!

Complete Engine Baffle Kits

Keep your engine cool with new baffle kits!

Airforms is the premier manufacturer of FAA-PMA replacement baffle kits for Cessna, Piper and the Beechcraft Baron

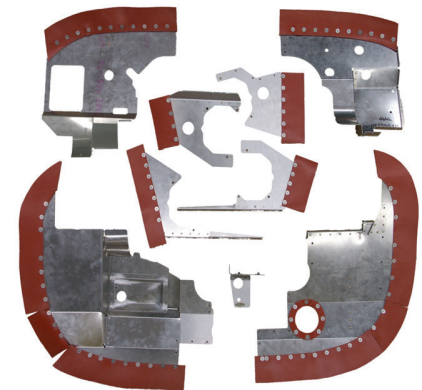
- 6061-T6 aluminum with black high temperature fiberglass reinforced silicone seals pre-installed (orange or blue seals available as special order for an extra charge)
- Bare aluminum or gray powder coat finish
- Individually interchangeable with factory baffles

Many Improvements

- Stainless steel brackets where needed
- Hard rivet construction
- 1/2" back plates to secure seals
- Improved fit

Notes

- If aftermarket components (starter, alternator, exhaust, engine mod, etc) have been installed it is the installer's responsibility to adjust baffles to fit.
- Mounting hardware is not included (nuts, bolts, screws, Tinnerman clips, etc).



Eligibility and images on the following pages

Aircraft Model	Serial Number	Bare Aluminum P/N	Powder Coat P/N	Figure
Beechcraft				
95-B55	TC-1386 thru TC-2002	B9555-BRBK	B9555-PCBK	1
Cessna				
120/140	All	C120140-BRBK	C120140-PCBK	43
150D,E,F,G,H,J,K	All	C150-6470BRBK	C150-6470PCBK	2
150L,M, A150L,M, FA150L	All	C150-7177BRBK	C150-7177PCBK	3
152 ¹	15279406 thru 15283591	C152-7879BRBK	C152-7879PCBK	4
A152 ¹	A1520735 thru A1520878			
F152 ¹	F15201429 thru F15201673			
FA152 ¹	FA1520337 thru FA1520357			
152 ¹	15283592 thru 15285594	C152-8082BRBK	C152-8082PCBK	4
A152 ¹	A1520879 thru A1521014			
F152 ¹	F15201674 thru F15201928			
FA152 ¹	FA1520358 thru FA1520382			
170A,B ^{1 6}	18730 thru 25372	C170A-4952BRPS	C170A-4952PCPS	5
170B ¹	25373 and On	C170B172-BRBK	C170B172-PCBK	6
172 ^{1 4}	28000-36965			
172I,K,L,M ¹	17256513 thru 17261898	C172IKL68-M73-BRBK	C172IKL68-M73-PCBK	7
F172L,M ¹	F17200805 thru F17201034			
172M ¹	17261899 thru 17267584	C172M-7476BRBK	C172M-7476PCBK	8
F172M ¹	F17201035 thru F17201514			
172N ¹	17267585 thru 17271953	C172N-77795BRBK ⁵	C172N-77795PCBK	9
F172N ¹	F17201515 thru F17201909			
172R	17280001 thru 17280697	N/A	C172R-9798PCBK	12
	17280698 thru 17281233		C172R-9904PCBK	13
172N ¹	17271954 thru 17274009	C172N-79580BRBK ⁵	C172N-79580PCBK	10
F172N ¹	F17201910 thru F17202039			
172P, F172P	All	C172P-BRBK	C172P-PCBK	11
172S	172S8001 thru 172S9770	N/A	C172S-98045PCBK	14

Eligibility continued on next page

Complete Engine Baffle Kits continued from previous page

Product images on the following page

Continued from previous page

Aircraft Model	Serial Number	Bare Aluminum P/N	Powder Coat P/N	Figure
172RG	172RG0001 thru 172RG0817 and 172RG0891 thru 172RG1191	C172RG-BRBK	C172RG-PCBK	15
177	All	C177-68BRBK	C177-68PCBK	16
177B	17701774 thru 17702123	C177-7374BRBK	C177-7374PCBK	17
177RG	177RG0593 thru 177RG1366	C177RG-7578BRBK	C177RG-7578PCBK	18
180, 180A,B,C,D,E,F,G,H,J,K 182A,B,C,D,E,F,G,H,J,K,L,M,N,P ¹	32151 and on 34755 thru 18262465	C180182-PKGA-BRBK ² C180182-PKGB-BRBK ² C180182-PKGC-BRBK ² C180182-PKGD-BRBK ²	C180182-PKGA-PCBK ² C180182-PKGB-PCBK ² C180182-PKGC-PCBK ² C180182-PKGD-PCBK ²	19
182P ¹ , F182P	18262466 thru 18265175 F18200001 thru F18200025	C182-7476-PKGG-BRBK ² C182-7476-PKGH-BRBK ²	C182-7476-PKGG-PCBK ² C182-7476-PKGH-PCBK ²	20
182Q,R, F182Q	18265176 thru 18268615 F18200026 thru F18200169	C182-7786-PKGG-BRBK ² C182-7786-PKGH-BRBK ²	C182-7786-PKGG-PCBK ² C182-7786-PKGH-PCBK ²	21
182T, T182T	182-81318 and on	C182T-BRBK New!	C182T-PCBK New!	48
185, 185A,B,C,D,E, A185E,F	All	C185-PKGJ-BRBK ² C185-PKGG-BRBK ²	C185-PKGJ-PCBK ² C185-PKGG-PCBK ²	22
206, U206A,B,C,D,E ¹	206-0001 thru U20601604	C206-64715-PKGE-BRBK ² C206-64715-PKGF-BRBK ² C206-64715-PKGI-BRBK ²	C206-64715-PKGE-PCBK ² C206-64715-PKGF-PCBK ² C206-64715-PKGI-PCBK ²	23
U206F ¹ , G	U20602200 thru U20607020	C206-7486BRBK	C206-7486PCBK	24
P206, P206A,B,C,D,E	All	CP206-BRBK ²	CP206-PCBK ²	23
207	20700001 thru 20700268	C207-6975-PKGE-BRBK ² C207-6975-PKGF-BRBK ² C207-6975-PKGI-BRBK ²	C207-6975-PKGE-PCBK ² C207-6975-PKGF-PCBK ² C207-6975-PKGI-PCBK ²	23
210K,L ¹	21059200 thru 21060089	C210-7073BRBK	C210-7073PCBK	25
210L ¹ ,M,N	21061040 thru 21064897	C210-7680BRBK	C210-7680PCBK	24
401, 401A,B, 402, 402A,B,C, 414, 414A	All	C402414-BRBK	C402414-PCBK	26
Grumman				
AA-5A	All	AA5A-BRBK	AA5A-PCBK	27
AA-5B	All	AA5B-BRBK	AA5B-PCBK	28
Mooney				
M20J	24-0001 thru 24-1623 and 24-1632 thru 24-3431	M20BRBK	M20JPCBK	29
Piper				
PA-18 "150"	1809001 thru 1809079, 18-3781 thru 18-8309025	PA18150-BRBK	PA18150-PCBK	30
PA-22-150	22-2425 thru 22-7630	PA22150-BRBK	PA22150-PCBK	31
PA-28-140	28-20002 thru 28-7125471	PA28140-64715BRBK	PA28140-64715PCBK	32
PA-28-161	All	PA28161-BRBK	PA28161-PCBK	33
PA-28-180	28-1761 thru 28-7205091 28-7205092 thru 28-7505259	PA28180-65725BRBK PA28180-72.575BRBK	PA28180-65725PCBK PA28180-72.575PCBK	34 35
PA-28-181	28-8090001 thru 28-8690056 28-8690061 and 28-8690062 2843001 thru 2843999	PA28181-2BRBK PA28181-3BRBK	PA28181-2PCBK PA28181-3PCBK	36
PA-28-235	28-10003 thru 28-7210033	PA28235-BRBK	PA28235-PCBK	37
PA-28-236	All	PA28236-BRBK	PA28236-PCBK	38
PA-28R-200	28R-35001 thru 28R-35820 28R-7135001 thru 28R-7135229	PA28R200-BRBK	PA28R200-PCBK	39
PA-28R-201	All	PA28R201-BRBK	PA28R201-PCBK	40
PA-30	All	PA30-BRBK	PA30-PCBK	41
PA-31 (PA-31-310) ⁵	31-2 thru 31-822031	PA31310-BRBK	PA31310-PCBK	45
PA-31-325 ³ PA-31-350, PA-31-350 (T1020) ³	31-7512001 thru 31-8312019 31-7305001 thru 31-8553002	PA31325350-BRBK	PA31325350-PCBK	46
PA-32-260	32-1 thru 32-1033 32-1034 thru 32-7800008	PA32260-6568.5BRBK PA32260-68.578BRBK	PA32260-6568.5PCBK PA32260-68.578PCBK	44
PA-32-300	32-7640072 thru 32-7940290	PA32300-BRBK	PA32300-PCBK	47
PA-44-180	All	PA44180-BRBK	PA44180-PCBK	42

Notes: Black, blue, or orange seals are available. P/Ns listed contain black seals. To purchase with blue or orange seals use suffix: BRBL (Bare Aluminum Blue Seals), BROR (Bare Aluminum Orange Seals), PCBL (Powder Coat Blue Seals), PCOR (Powder Coat Orange Seals).

¹ Partial model eligibility

² To determine the part number required see oil cooler configuration with applicable figure

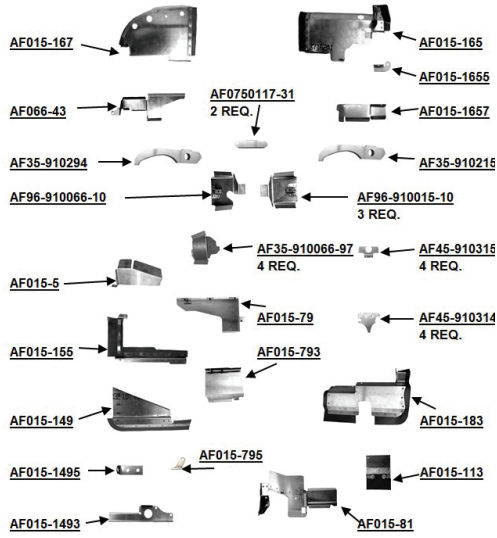
³ Baffle kits and components have received Alternative Method Of Compliance (AMOC) from the FAA for AD 93-23-13. Mandatory 50 hour inspection is no longer required.

⁴ P/N AF0550165-2 and AF0550165-6 are available in black only

⁵ There is some overlap with the baffle design in these serial number ranges. See figures 9 and 10 to determine required part number

⁶ Baffle seals are available in black only

Figure 1



Not all repetitive parts are shown

Figure 2

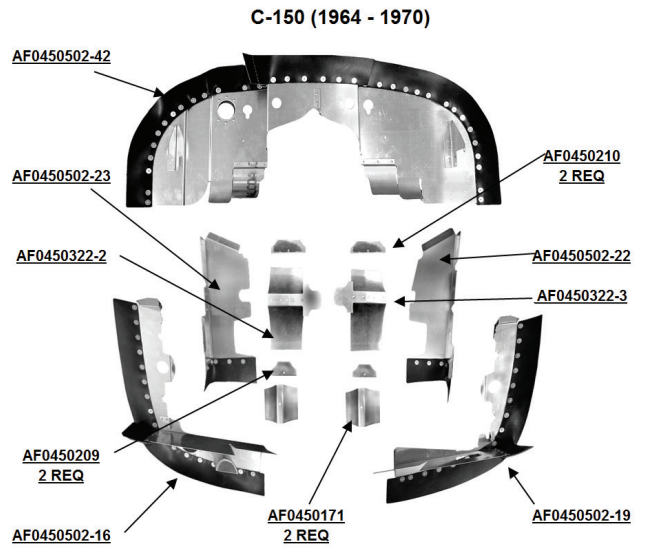


Figure 3

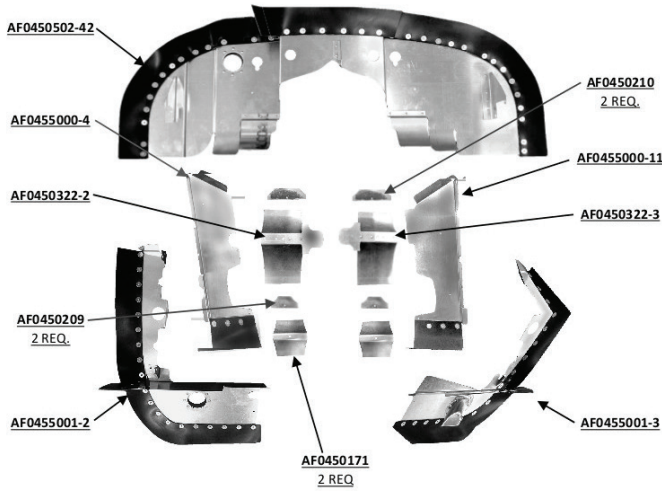


Figure 4

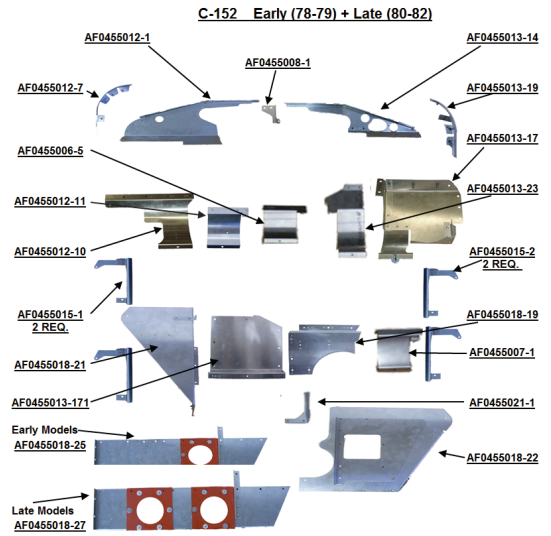
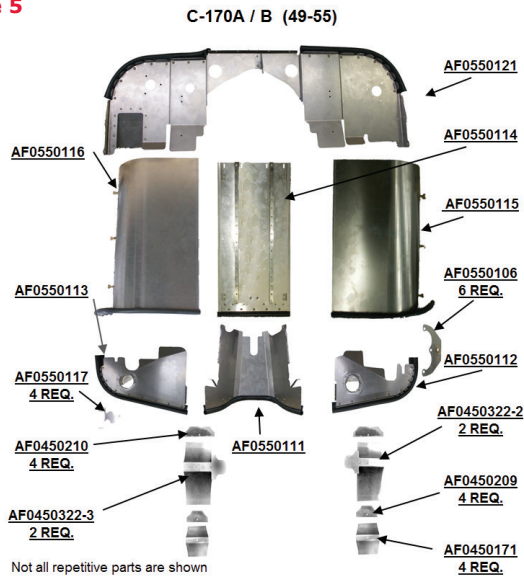
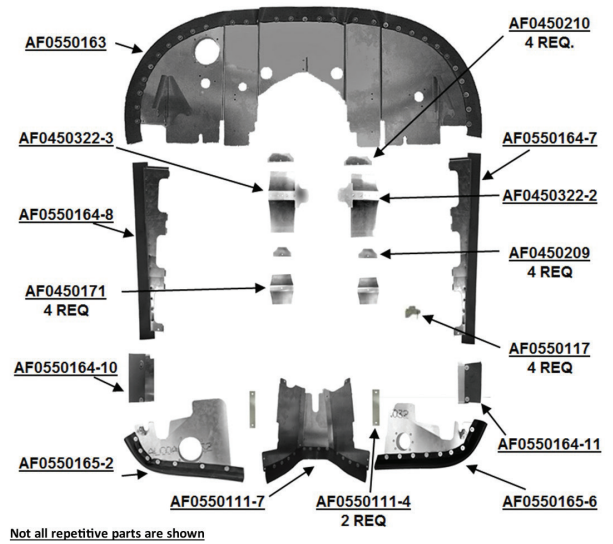


Figure 5



Not all repetitive parts are shown

Figure 6



Not all repetitive parts are shown

Figure 7

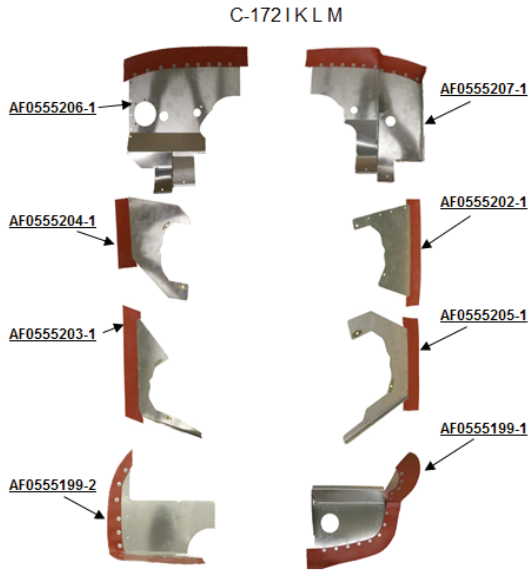


Figure 8

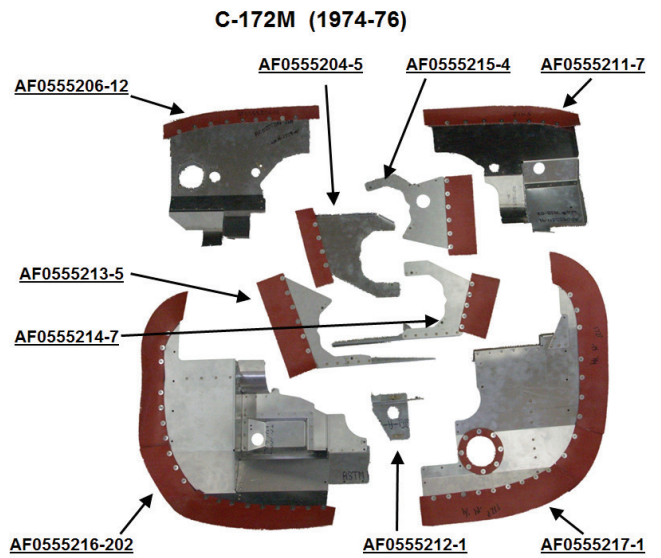


Figure 9

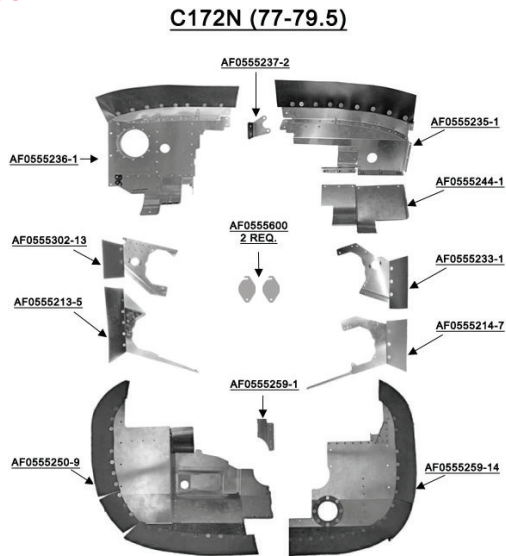


Figure 10

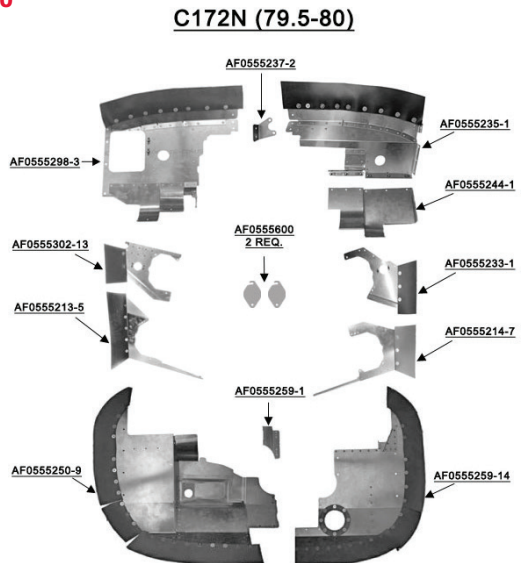


Figure 11

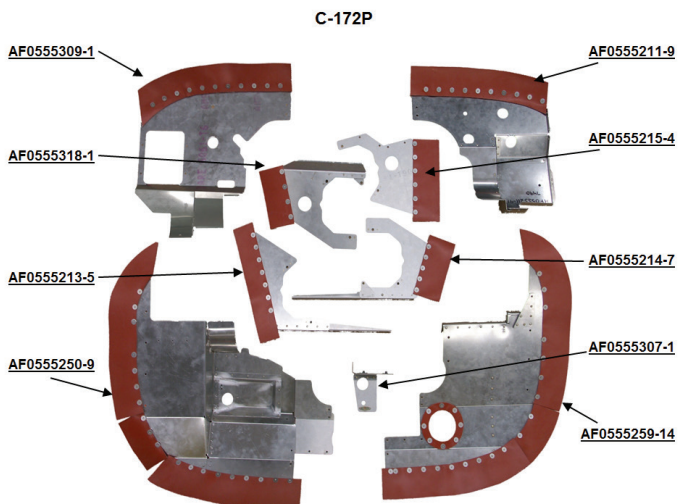


Figure 12

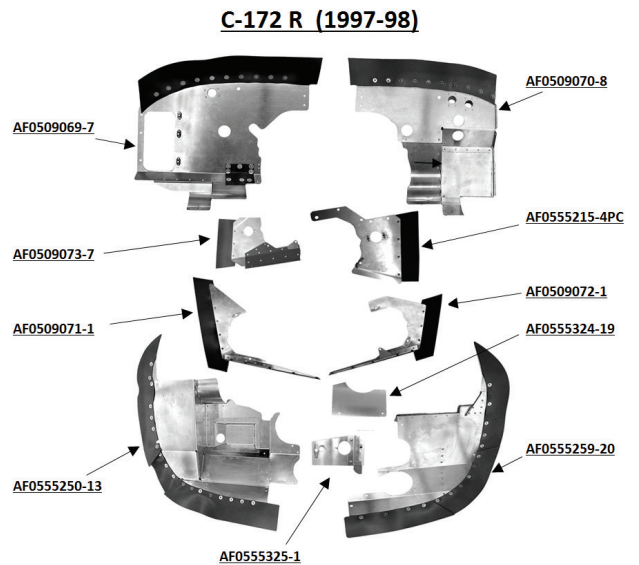


Figure 13

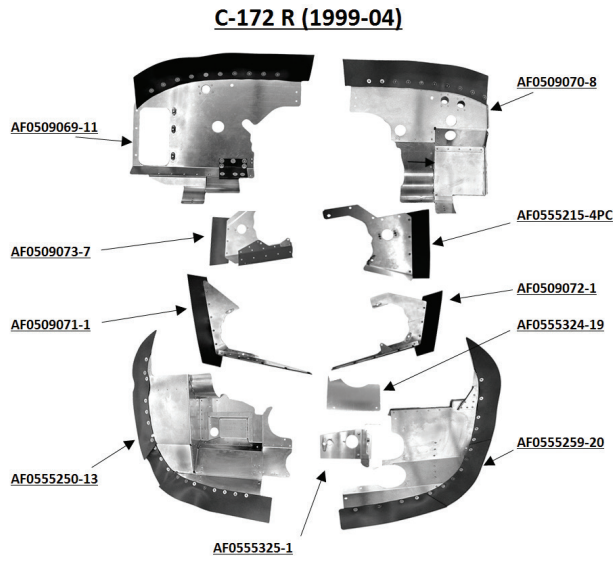


Figure 14

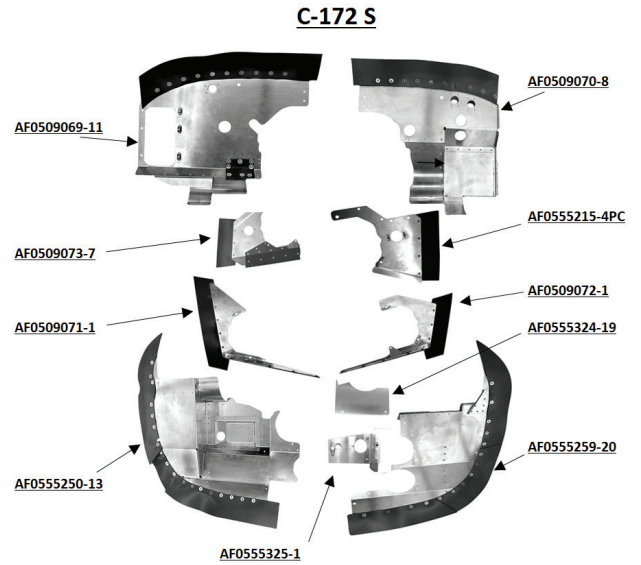


Figure 15

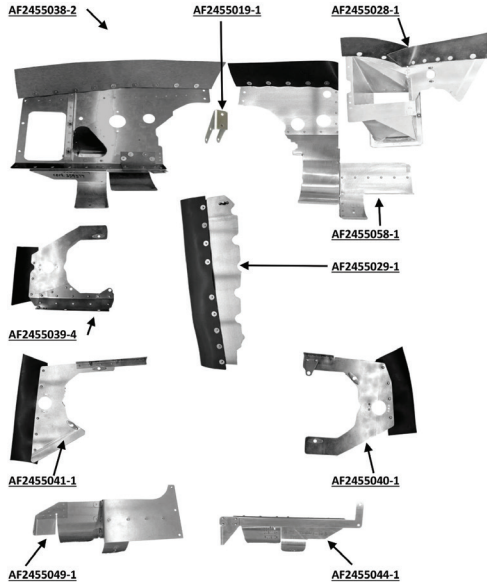


Figure 16

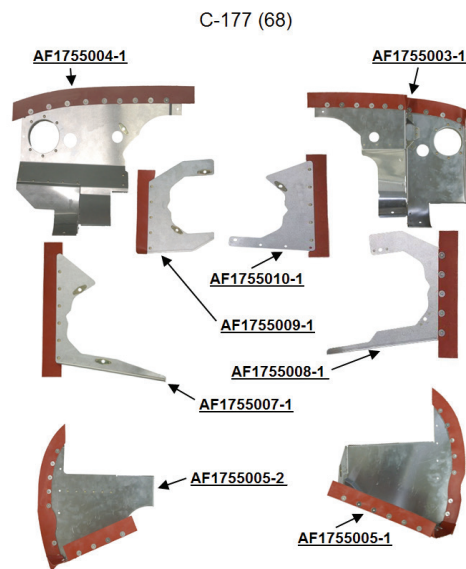


Figure 17

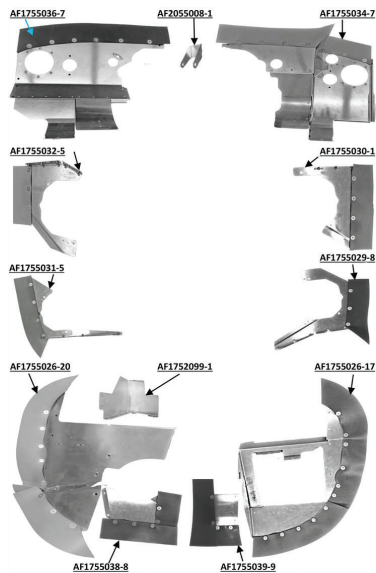


Figure 18

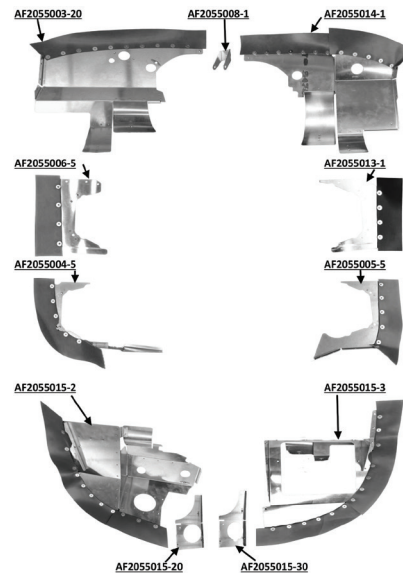
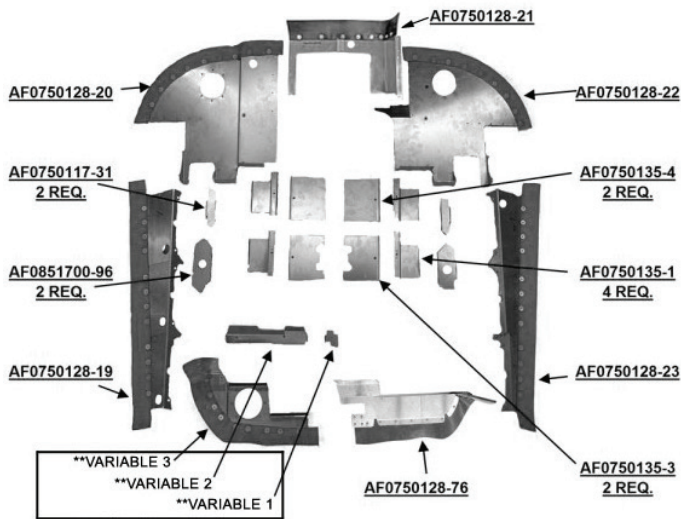
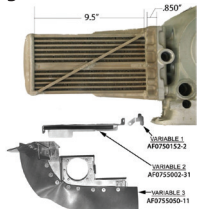


Figure 19

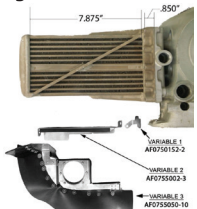
C-180(56-81)
C-182(58-73)



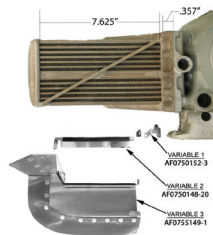
Package A



Package B



Package C



Package D

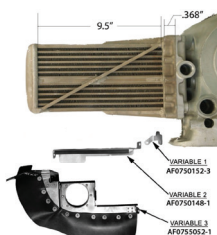
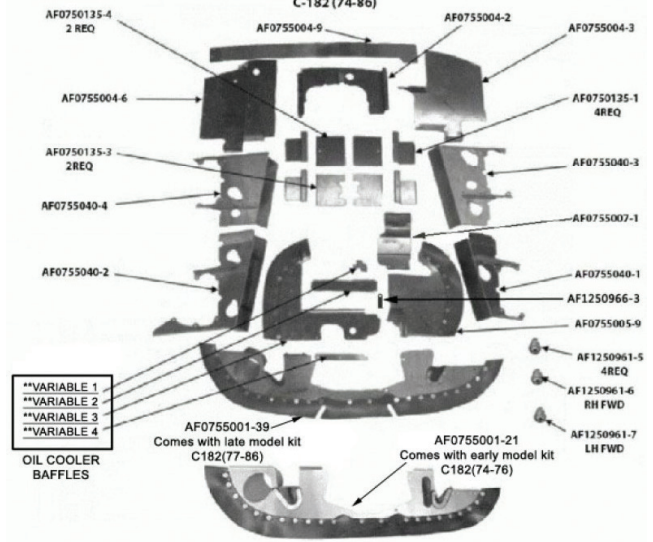
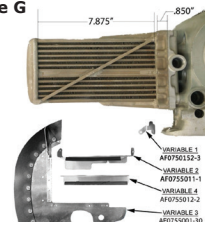


Figure 20

C-182 (74-86)



Package G



Package H

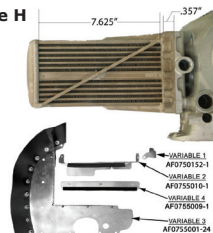
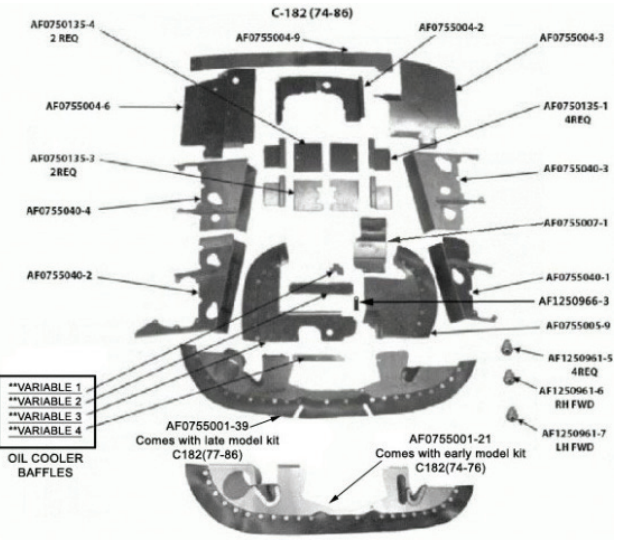
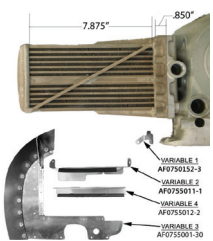


Figure 21



Package G



Package H

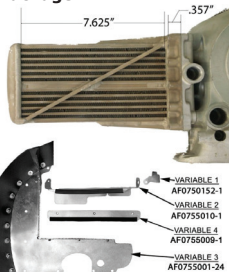
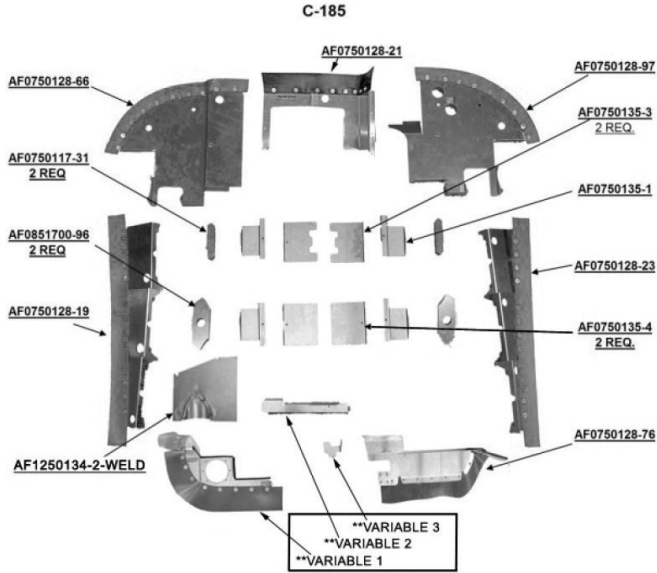
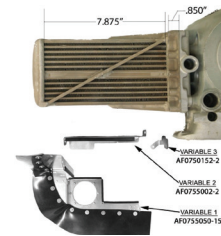


Figure 22



Package J



Package K

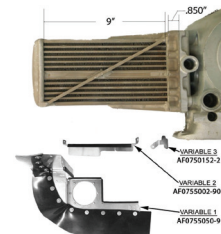


Figure 23

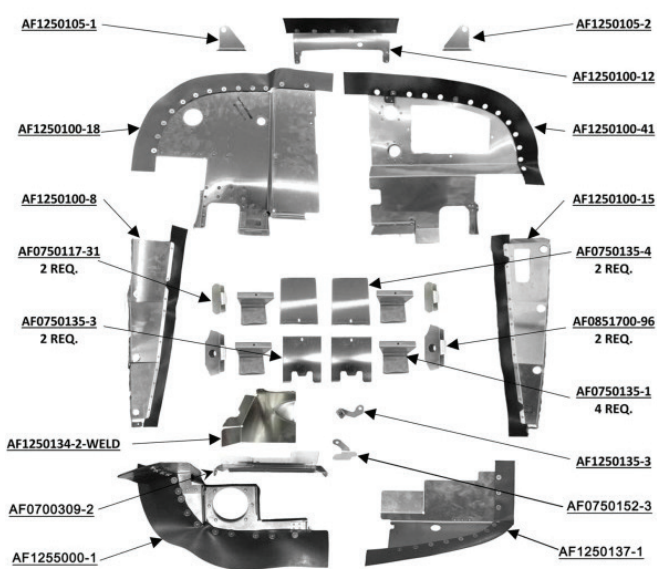


Figure 24

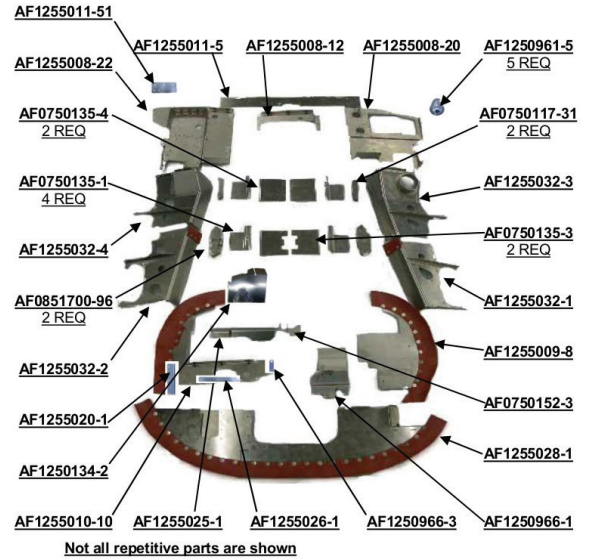


Figure 25

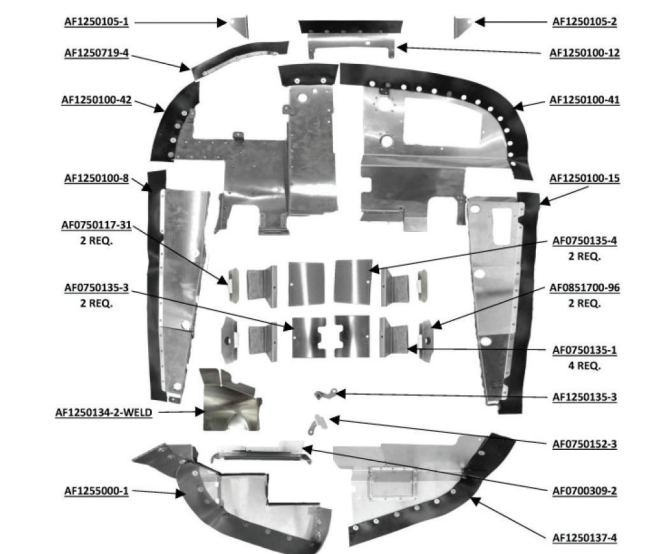


Figure 26

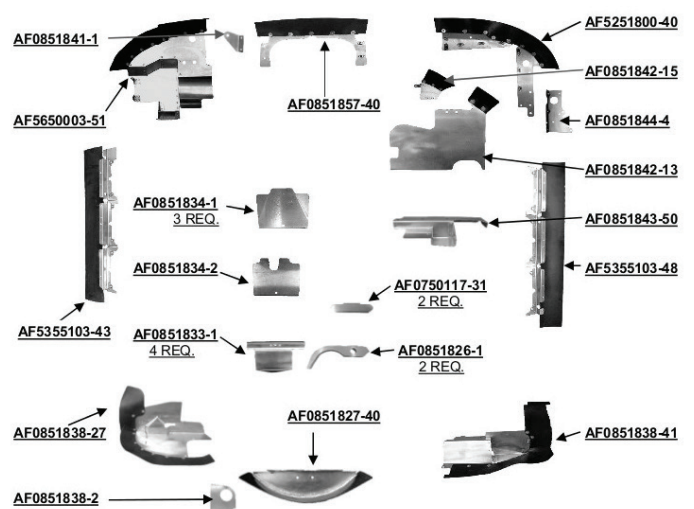


Figure 27

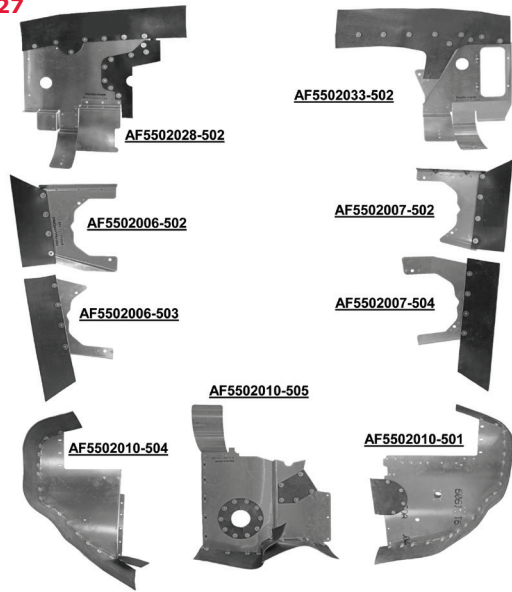


Figure 28

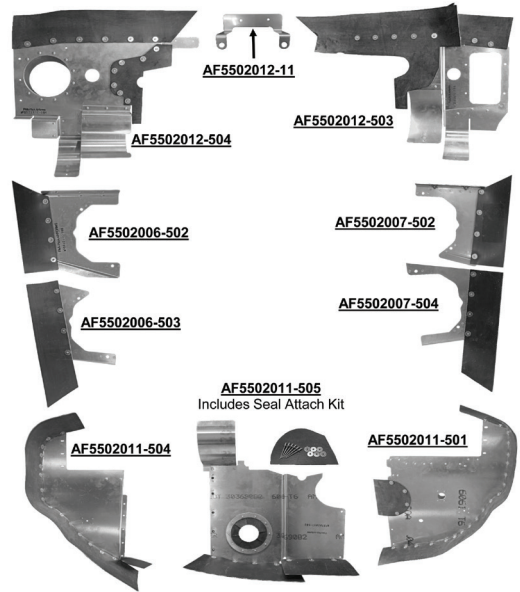


Figure 29

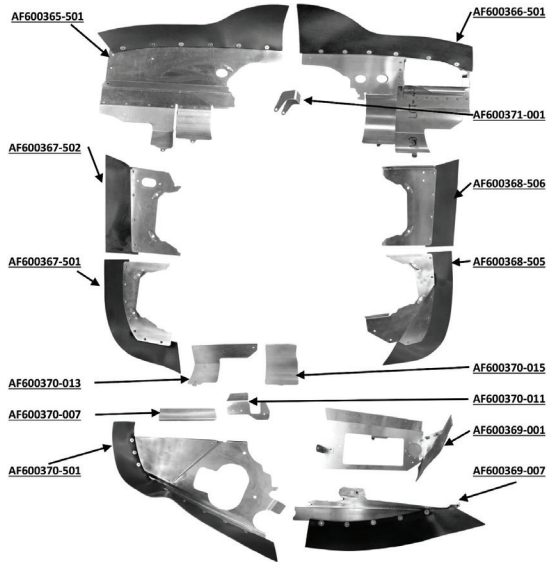


Figure 30

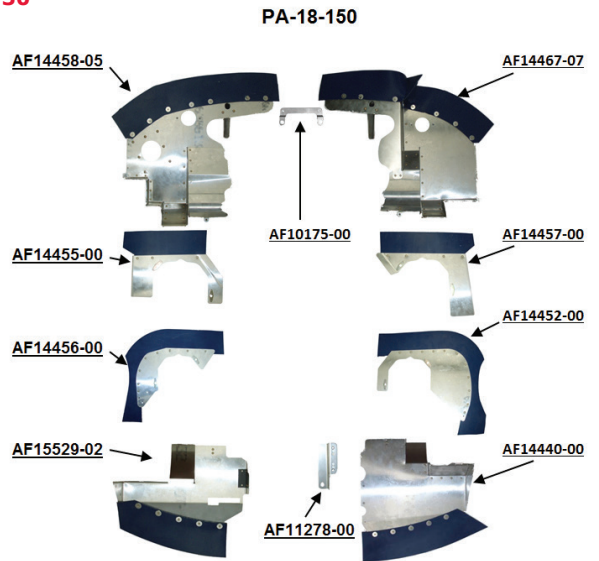


Figure 31

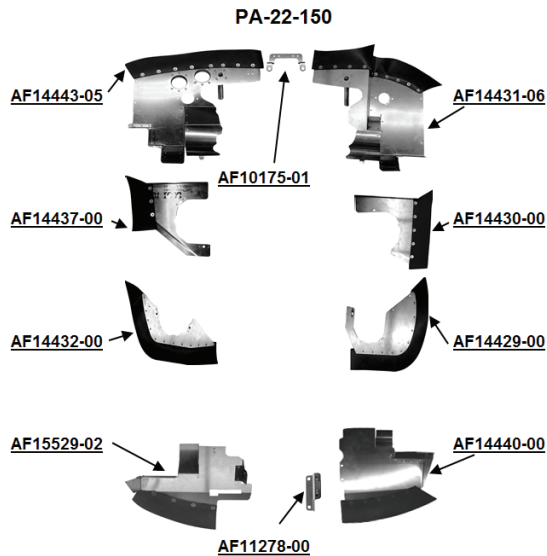


Figure 32

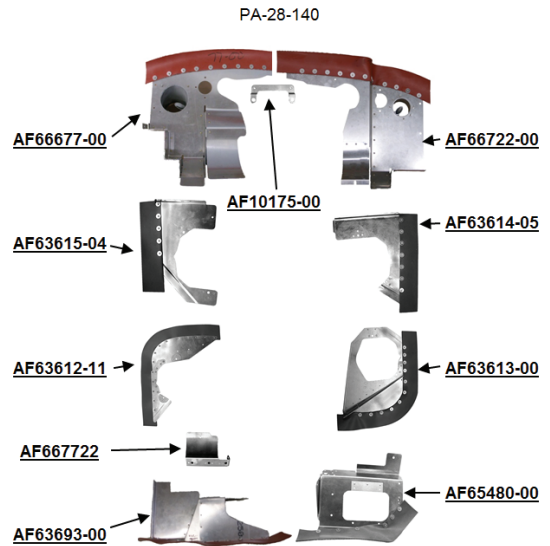


Figure 33

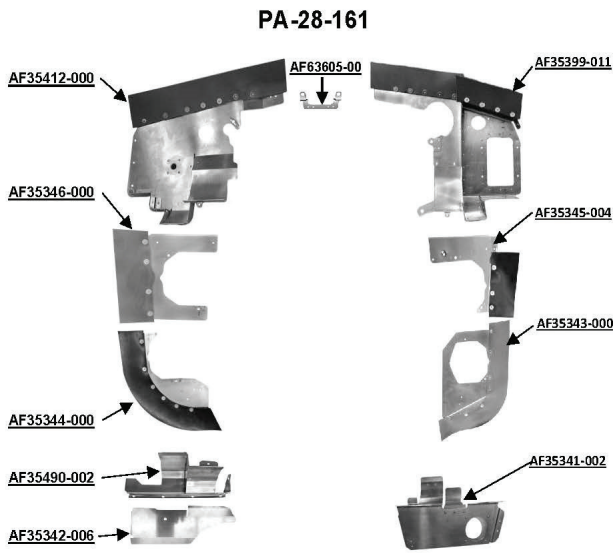


Figure 34

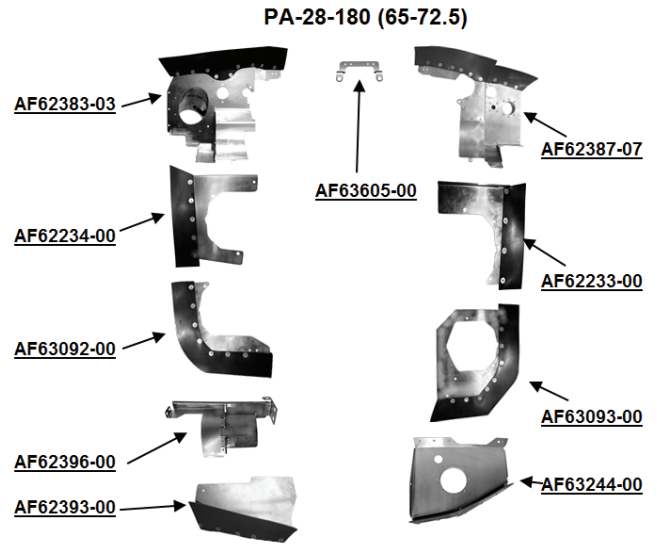


Figure 35

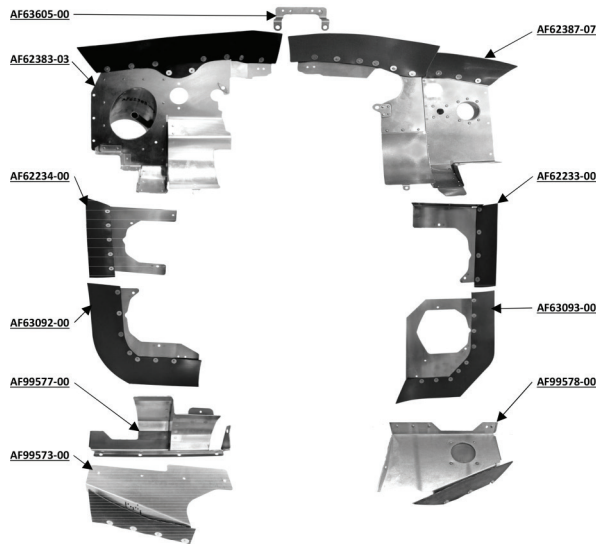


Figure 36

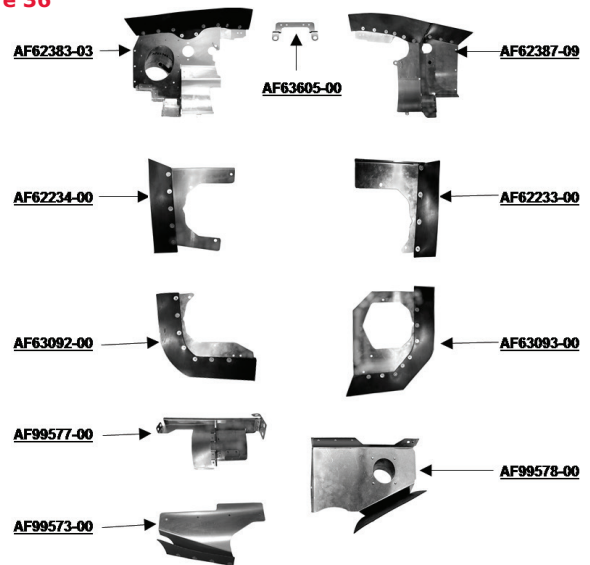


Figure 37

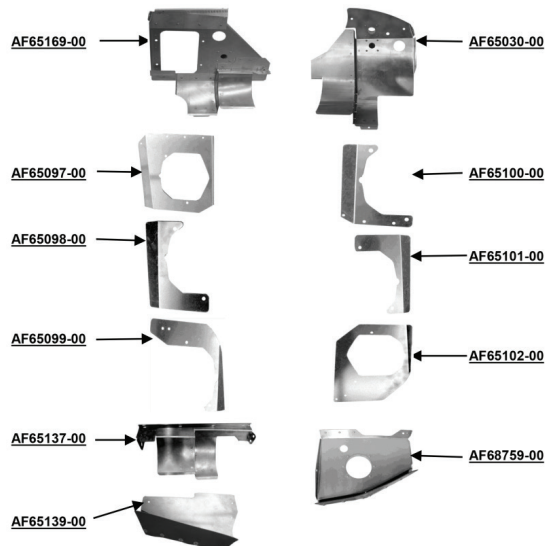


Figure 38

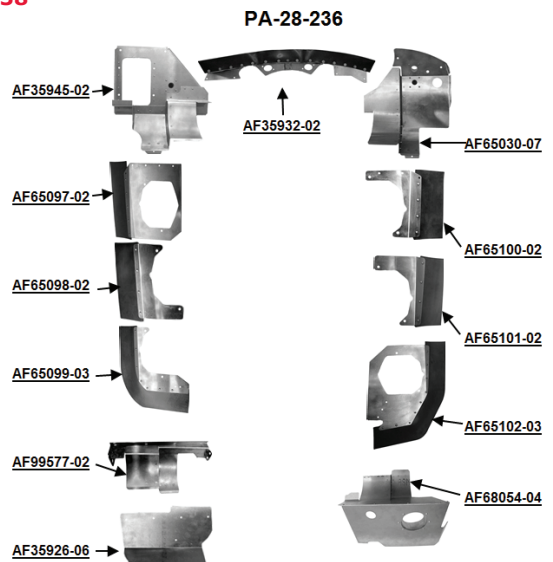


Figure 39

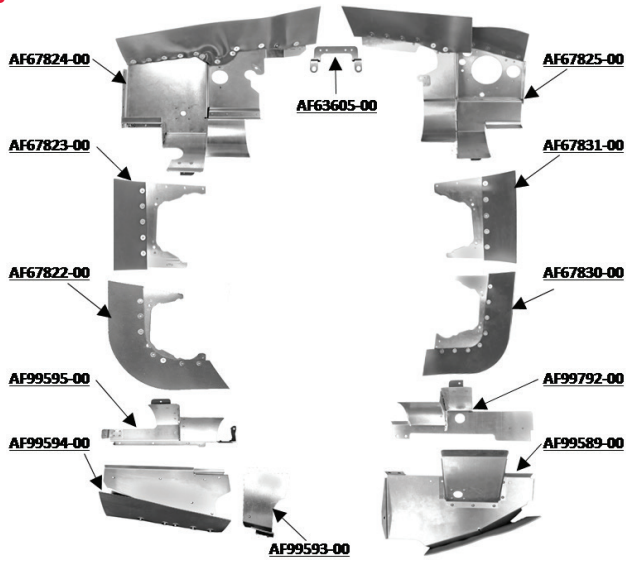


Figure 40

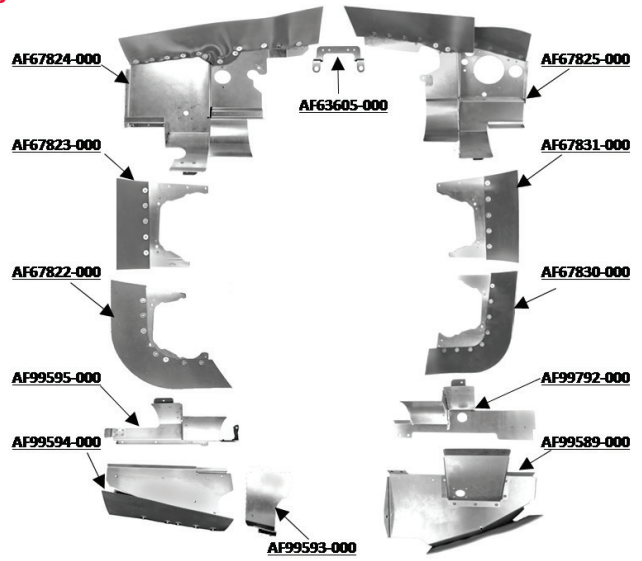


Figure 41

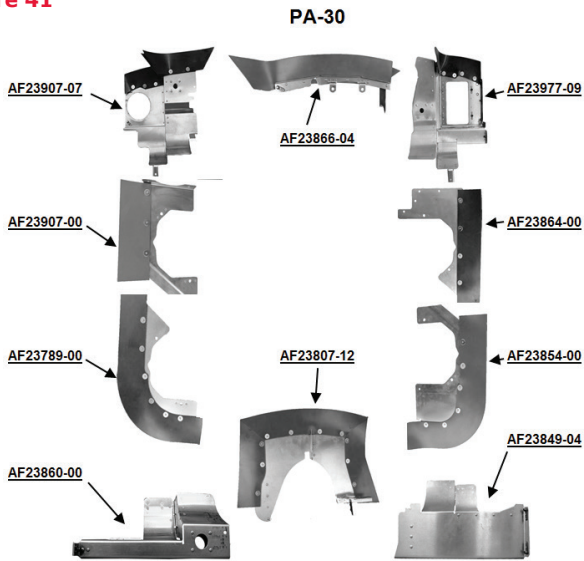


Figure 42

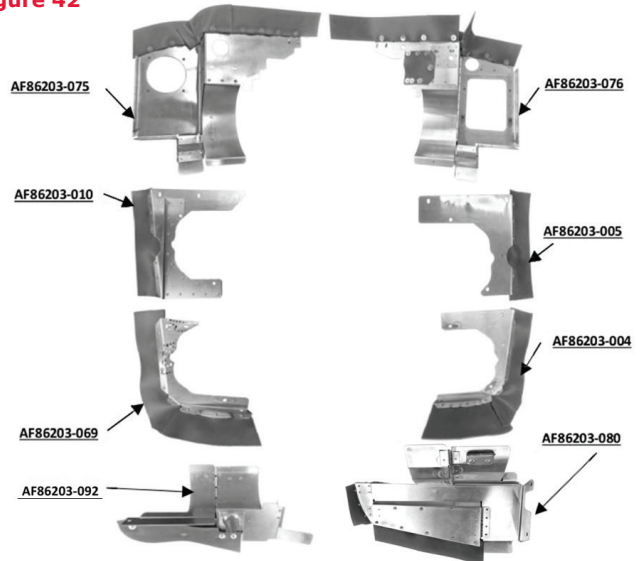


Figure 43

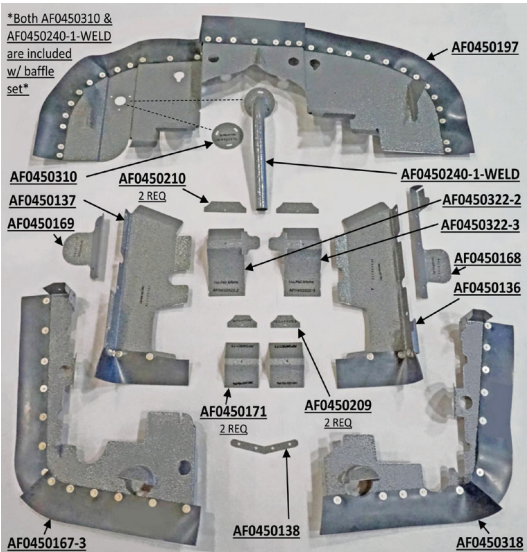


Figure 44

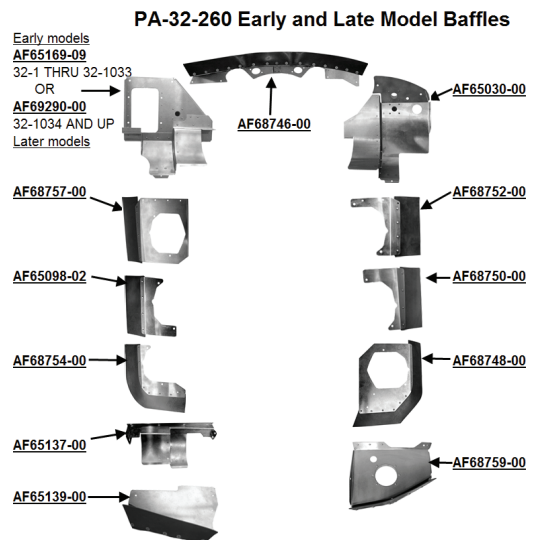
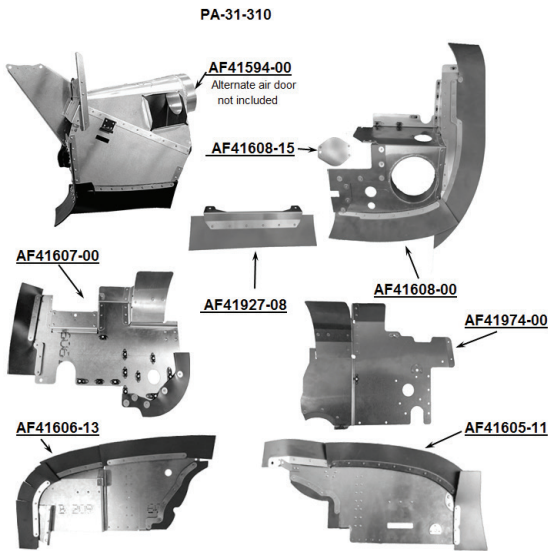


Figure 45



Baffle kits and components for models PA-31 (PA-31-310), PA-31-325 and PA-31-350 have received Alternative Method Of Compliance (AMOC) from the FAA for AD 93-23-13. Mandatory 50 hour inspection is no longer required.

Figure 46

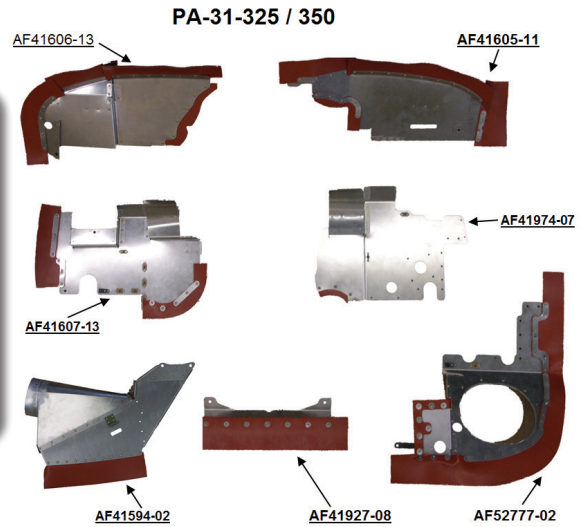


Figure 47

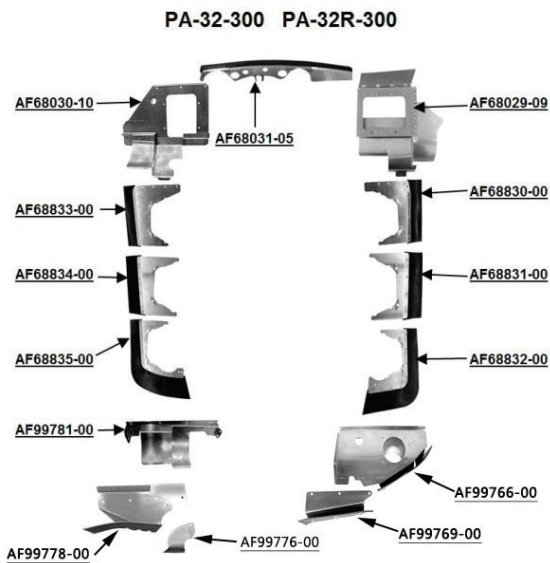
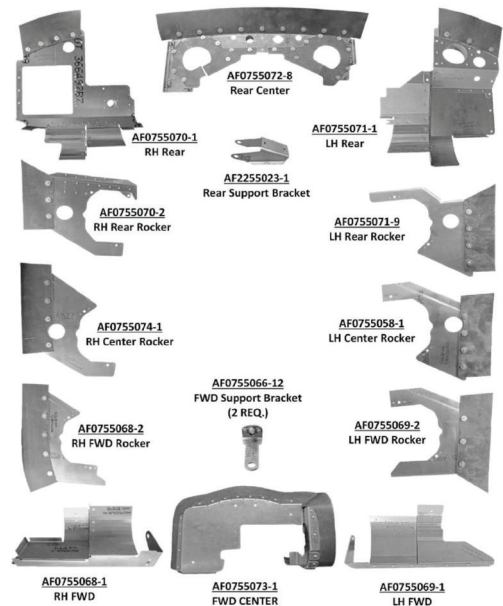


Figure 48



Complete Baffle Kits

FAA-PMA approved for Cessna, Piper, and Beech Baron

AIRFORMS

Keep your engine cool!

